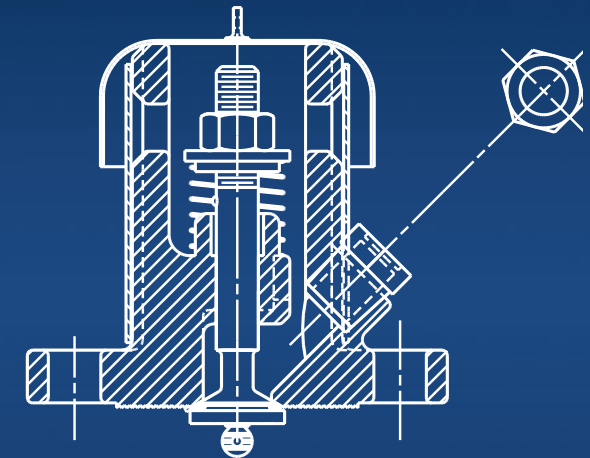


ARI MODEL 1626

VACUUM RELIEF VALVE



STANDARD FEATURES:

- Stainless Steel Construction
- Helps Reduce NARs
- Operates Only Under Vacuum, Cannot Be Manually Operated (No-Step Design)
- Set Points (psi): 0.75, 2.0, and 3.0
- Flanged Connection, O-ring Replacement without Valve Disassembly
- Tamper Evident and Debris Screen
- Stem Retention Feature
- Two Sight Glasses 90° Apart
- 3-7/8" Bolt Circle on 5/8" Mounting Hole - 4 Holes Equally Spaced
- Overall Height 4-3/8", Flange Thickness 3/4"
- AAR Approval # E 091024

ALTERNATES:

- 1-1/2" and 2-1/2" NPT Connections



www.americanrailcarparts.com