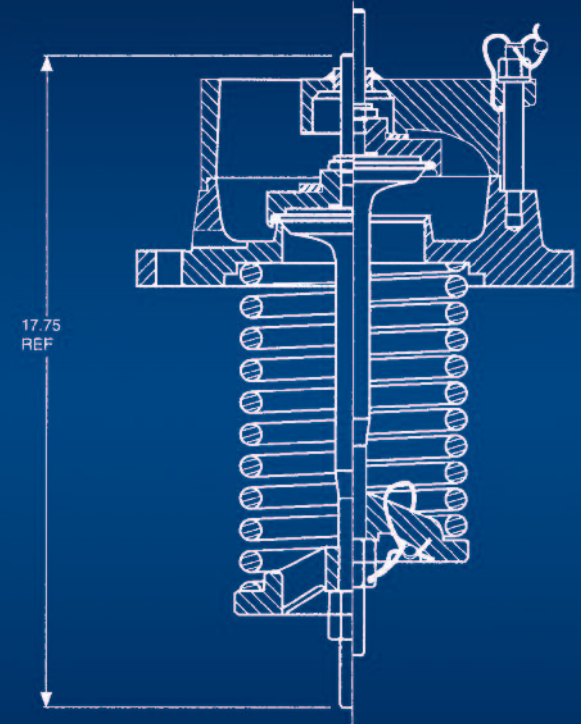
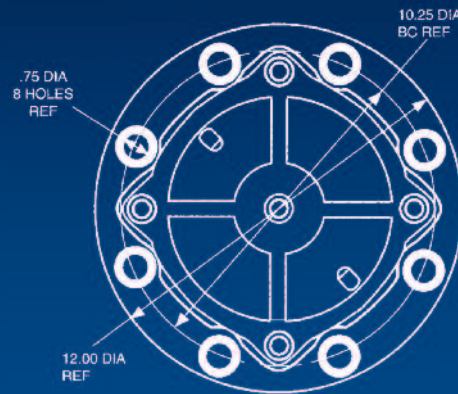


ARI MODEL 1148

SAFETY RELIEF VALVES



STANDARD FEATURES:

- Carbon Steel with Stainless Steel Trim
- Fits Industry Standard Mounting Arrangement
- Set Point 75 psig
- Flow Rating 20,605 scfm @ 85 psig
- AAR Approval # PRD 141090

ALTERNATES:

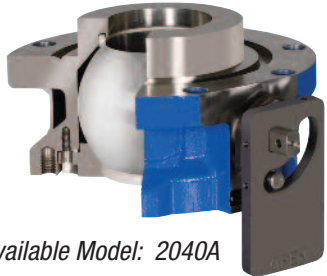
- All Stainless Steel Construction



www.americanrailcarparts.com

**American Railcar Industries, Inc. offers the highest quality fittings.
Helping to protect the environment, your people and processes.**

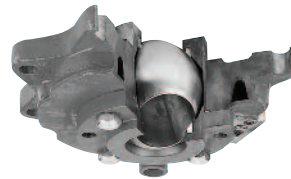
BOTTOM OUTLET VALVES



Available Model: 2040A



Available Models: 1585, 1585A



Available Model: 2020

SAFETY VALVES



Available Models: 1108, 1108HP



Available Model: 1128



Available Model: 1148

VACUUM RELIEF VALVE



Available Models: 1626, 1626A, 1626F

OTHER VALVES AND MATERIALS AVAILABLE:

- Check Valves
- Caps and Chains
- Cover Plates
- Flanges/Sumps
- Fittings

**ARI Parts now
available online!**

Visit

www.americanrailcarparts.com

to view our products and
place your order!



American Railcar Industries, Inc.

Special Products Group

100 Clark Street, St. Charles, Missouri 63301

(636) 940-6020 • FAX: (636) 940-6100

email: specialproducts@americanrailcar.com

www.americanrailcar.com / www.americanrailcarparts.com

AGILE ♦ RESPONSIVE ♦ INNOVATIVE™