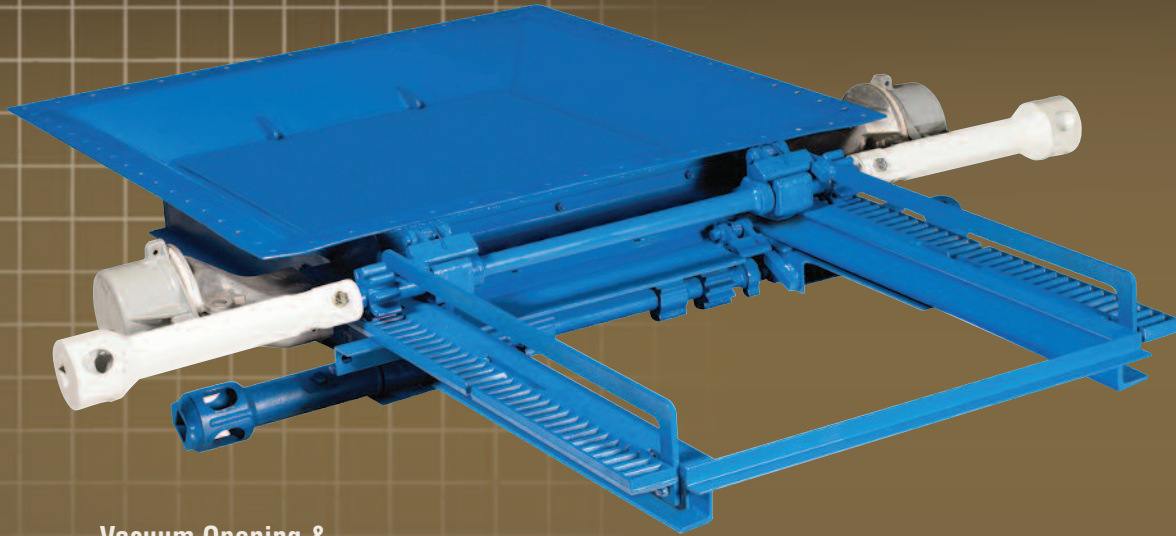
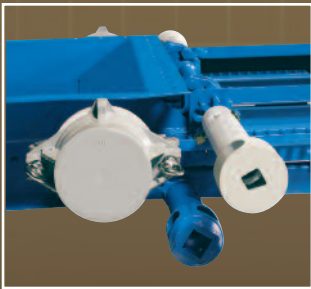


# ARI MODEL 5124/5126

# GRAVITY/PNEUMATIC OUTLET



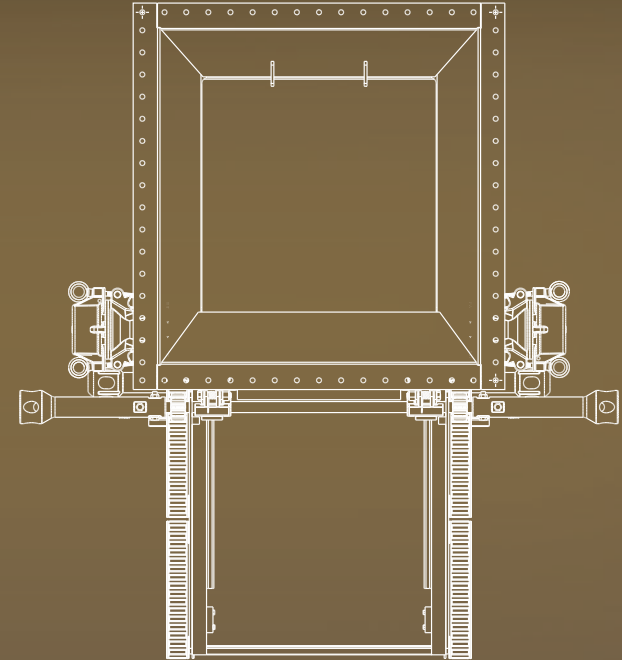
Vacuum Opening &  
Capstan Detail



Unobstructed gravity discharge  
with vacuum opening for maximum  
flow rate and optimum clean-out

## FEATURES:

- Designed for product purity with UHMW seals and stainless steel
- Improved structural ballasts minimize deflection and distortion
- Bolt & nut fastened locks prevent operation failures
- Gate retainer guide keeps gears in time
- Dual-cam and lock/unlock improve timing and provide ease of operation

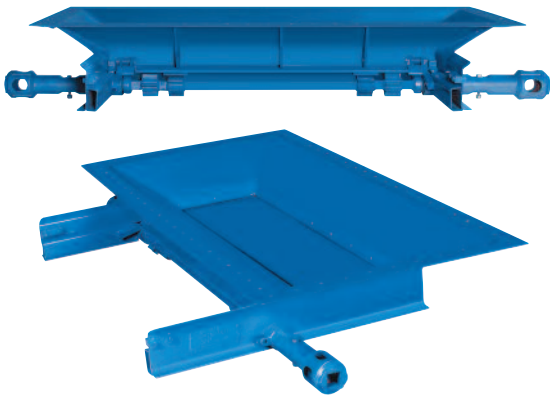


[www.americanrailcarparts.com](http://www.americanrailcarparts.com)

**American Railcar Industries, Inc. offers the highest quality materials.  
Helping to protect the environment, your people and processes.**

### GRAVITY OUTLETS

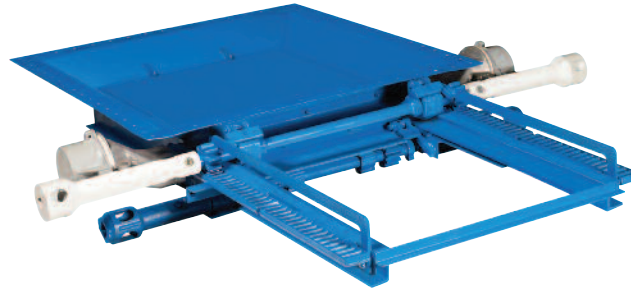
---



Available Models: 5097, 5098

### GRAVITY/PNEUMATIC OUTLETS

---



Available Model: 5124, 5126

### PNEUMATIC OUTLETS

---



Available Model: 5236  
Fluidized Pneumatic Outlet  
also available

### OTHER OUTLETS AVAILABLE

---

- Butterfly Outlet
- Fluidized Butterfly Outlet
- Pressure-Differential Outlet
- Sparger Outlet



**SPECIAL PRODUCTS GROUP**  
**AMERICAN RAILCAR INDUSTRIES, INC.**

100 Clark Street, St. Charles, Missouri 63301  
(636) 940-6020 • FAX: (636) 940-6100

email: [specialproducts@americanrailcar.com](mailto:specialproducts@americanrailcar.com)

[www.americanrailcar.com](http://www.americanrailcar.com) / [www.americanrailcarparts.com](http://www.americanrailcarparts.com)

**AGILE ♦ RESPONSIVE ♦ INNOVATIVE**

**Contact**  
**ARI Special Products**  
**for More Information**  
**636-940-6020**

Visit  
[www.americanrailcarparts.com](http://www.americanrailcarparts.com)  
to view our products and  
place your order!