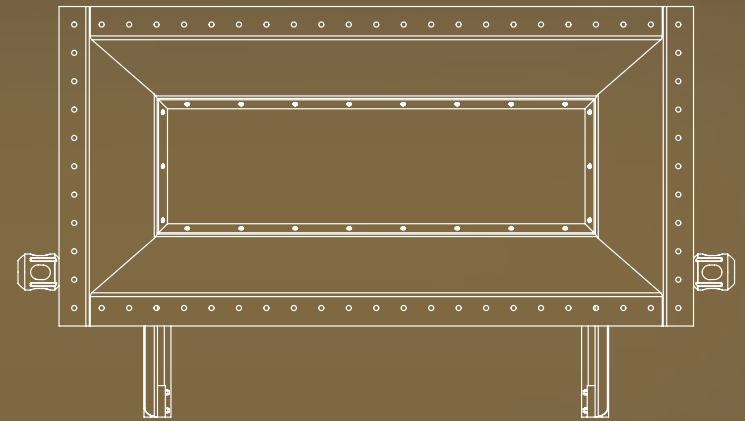
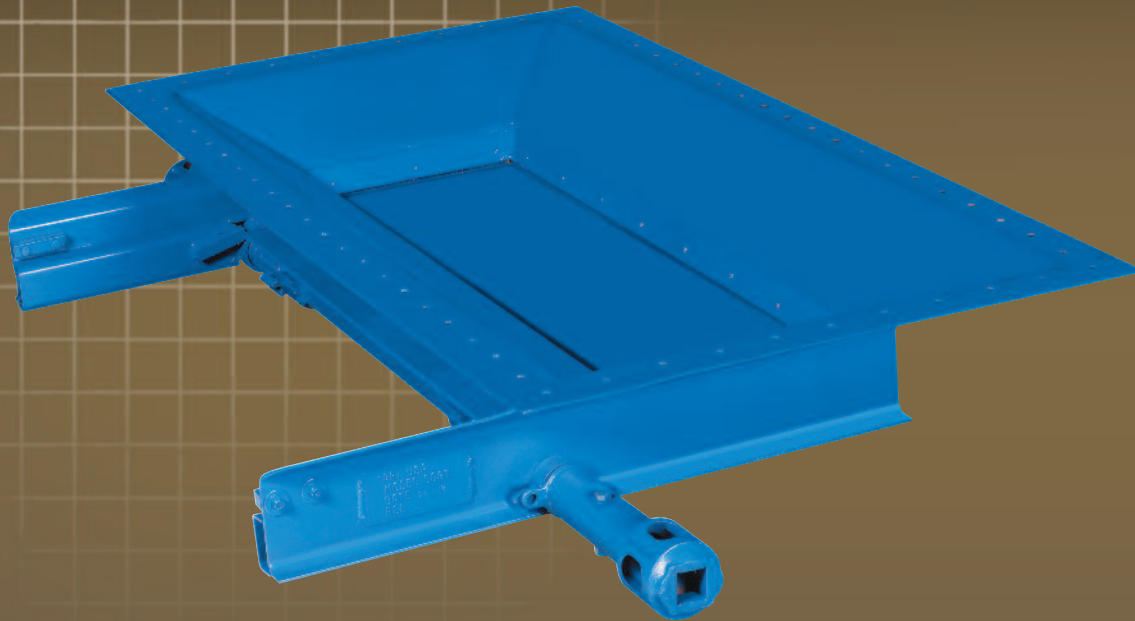


# ARI MODEL 5097/5098

## GRAVITY OUTLET



### FEATURES:

- Designed with lower operating torque for ease of opening
- Dual Automatic Lock/Unlock mechanism minimizes gate cocking & keeps gears in time
- Improved structural ballasts minimize deflection and distortion
- Bolt & nut fastened locks prevent operation failures
- Durable brush seal provides self-cleaning action and contamination protection
- Meets all GEAPS & AAR S-233 Performance specifications for:
  - Impact
  - Vibration
  - Cycling
  - Water-Spray

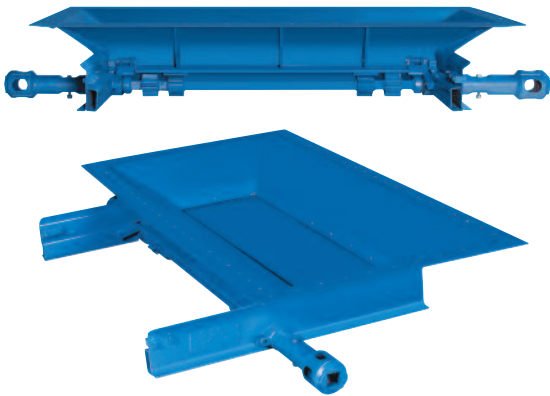


[www.americanrailcarparts.com](http://www.americanrailcarparts.com)

**American Railcar Industries, Inc. offers the highest quality materials.  
Helping to protect the environment, your people and processes.**

### GRAVITY OUTLETS

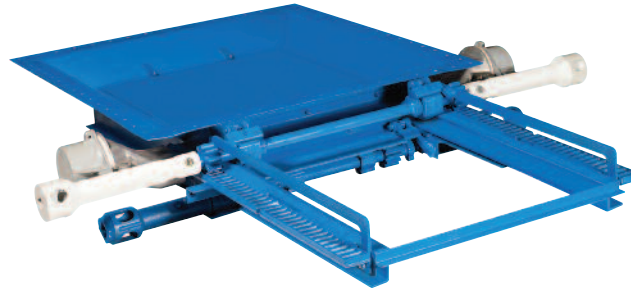
---



*Available Models: 5097, 5098*

### GRAVITY/PNEUMATIC OUTLETS

---



*Available Model: 5124, 5126*

### PNEUMATIC OUTLETS

---



*Available Model: 5236  
Fluidized Pneumatic Outlet  
also available*

### OTHER OUTLETS AVAILABLE

---

- Butterfly Outlet
- Fluidized Butterfly Outlet
- Pressure-Differential Outlet
- Sparger Outlet



**SPECIAL PRODUCTS GROUP**  
**AMERICAN RAILCAR INDUSTRIES, INC.**

100 Clark Street, St. Charles, Missouri 63301  
(636) 940-6020 • FAX: (636) 940-6100

email: [specialproducts@americanrailcar.com](mailto:specialproducts@americanrailcar.com)

[www.americanrailcar.com](http://www.americanrailcar.com) / [www.americanrailcarparts.com](http://www.americanrailcarparts.com)

**AGILE ♦ RESPONSIVE ♦ INNOVATIVE**

**Contact**  
**ARI Special Products**  
**for More Information**  
**636-940-6020**

Visit  
[www.americanrailcarparts.com](http://www.americanrailcarparts.com)  
to view our products and  
place your order!