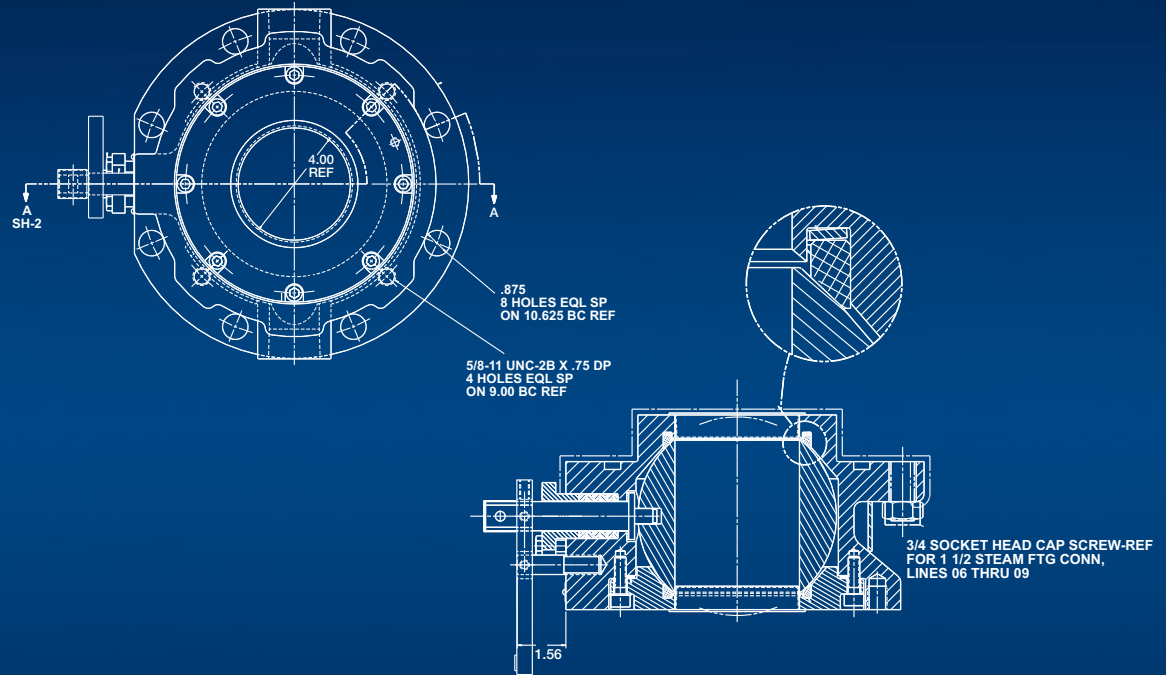
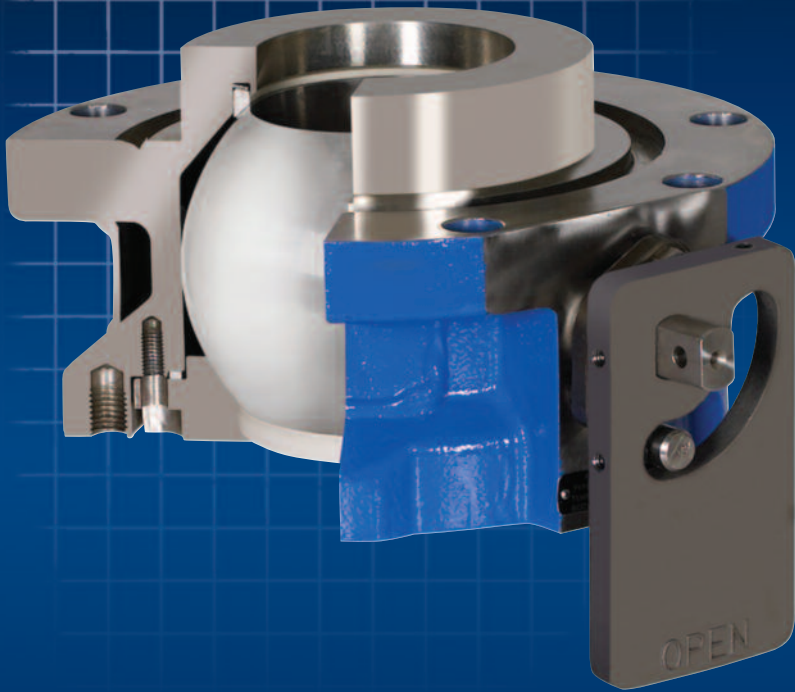


# ARI MODEL 2040A

# BOTTOM OUTLET BALL VALVE



## STANDARD FEATURES:

- Carbon Steel with Stainless Steel Trim
- 4" Full Port Valve
- Proven Seal Technology – Seal Automatically Relieves Pressure in the Body Cavity
- Fits Industry Standard Mounting Arrangement
- Steam Jacketed
- Over 50 Years of Proven Valve Design and Manufacturing
- Metal-to-Metal Seat – Between the Body and Cover to Retard Leakage in Fire Situations
- Manufactured at an M-1003, Class F Certified Facility
- AAR approval # E141086
- Disengaging BOV Handle Available

## ALTERNATES:

- All Stainless Steel Available



[www.americanrailcarparts.com](http://www.americanrailcarparts.com)