



BOTTOM OUTLET VALVE HANDLE OPERATION

FLAMMABLE LIQUIDS

NEW BOV handle designed
with the operator in mind

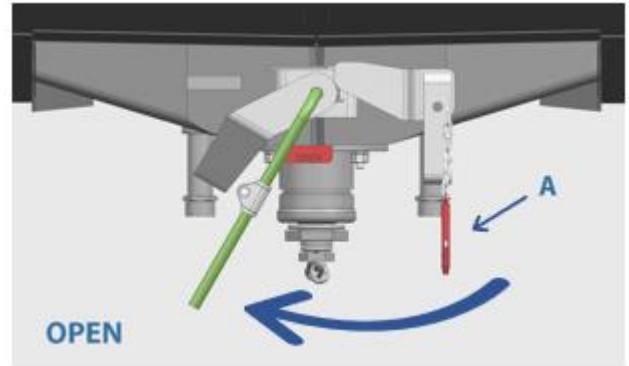


Single-pin design is
fast and **easy**

NEW BOV Handle Operating Instructions

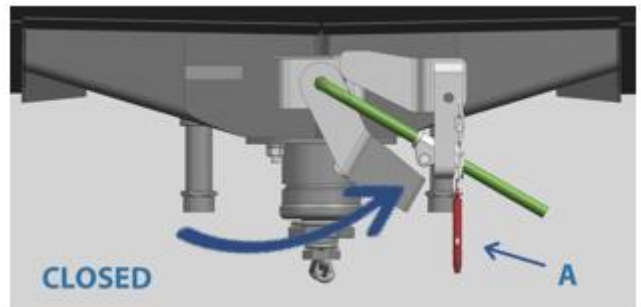
To Open

- 1) Remove all seal provisions
- 2) Remove locking pin A
- 3) Move handle from stowed position to closed position
- 4) Push handle in, toward BOV, until fully engaged, and handle is clear of locking bracket
- 5) Rotate handle clockwise to open position



To Close and Stow

- 1) Rotate handle counter clockwise to close position
- 2) Pull handle away from BOV and into locking assembly
- 3) Move handle to stowed position and insert locking pin A
- 4) Attach seal provisions as required



NOTE: If handle is not present, BOV can be operated with a ½" drive.

NOTE: At no time shall the torque applied to the handle exceed 350 ft/lbs.



AMERICAN RAILCAR INDUSTRIES, INC.

americanrailcar.com – 800.489.9890